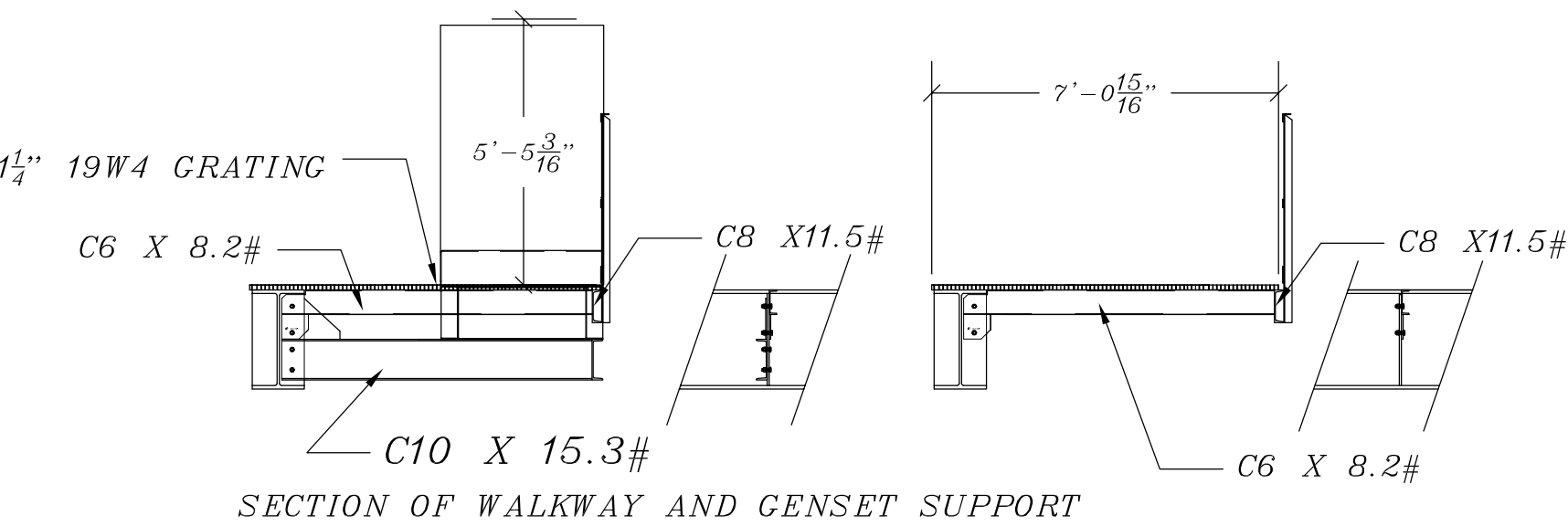
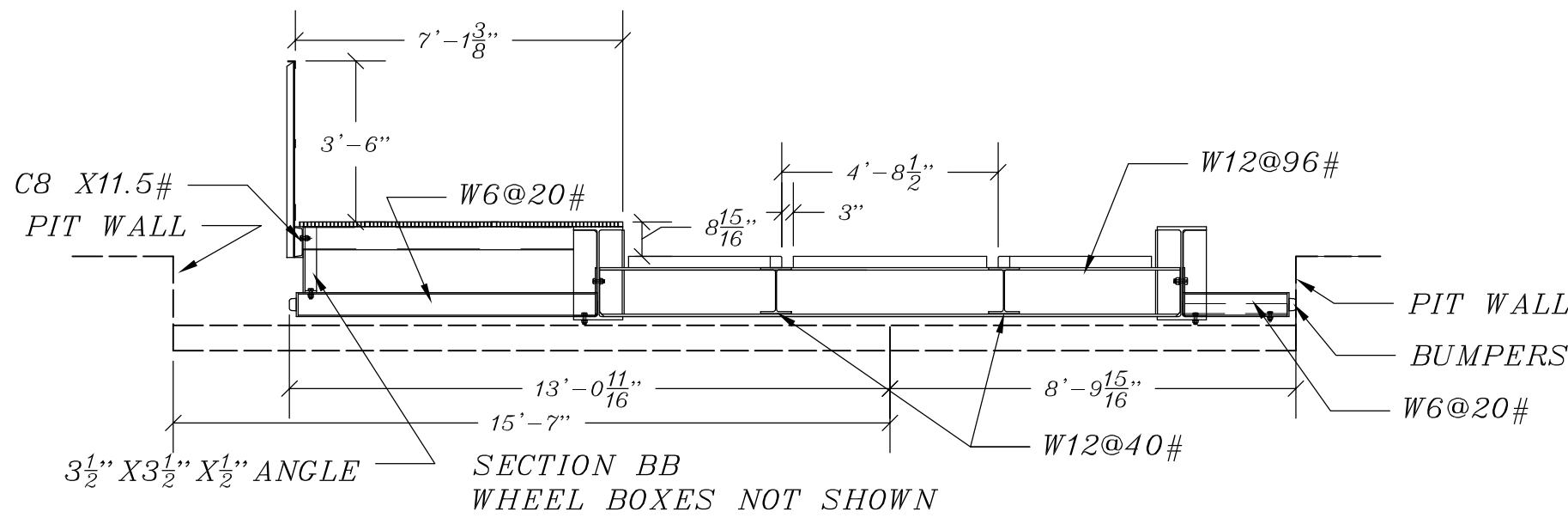
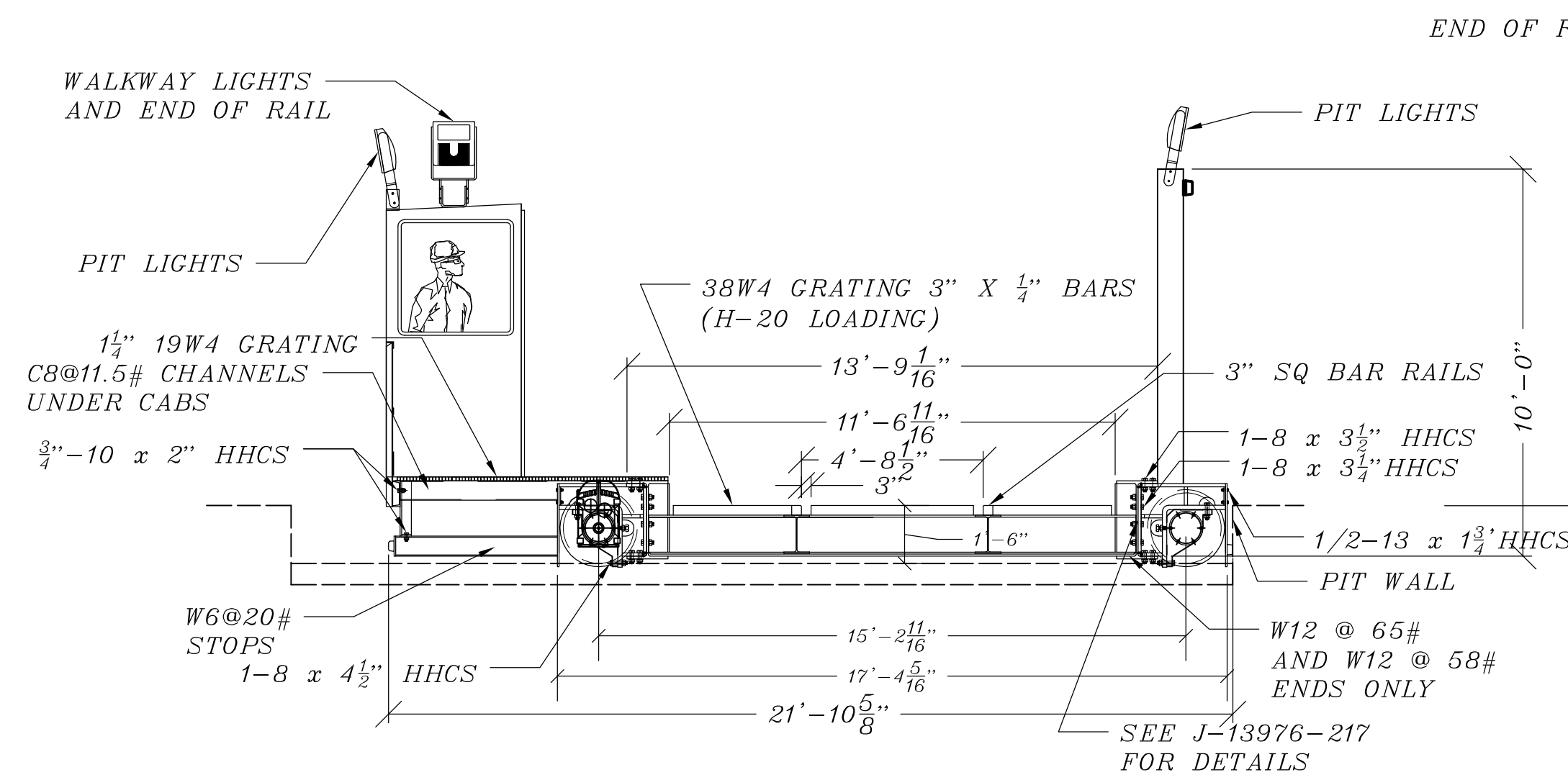
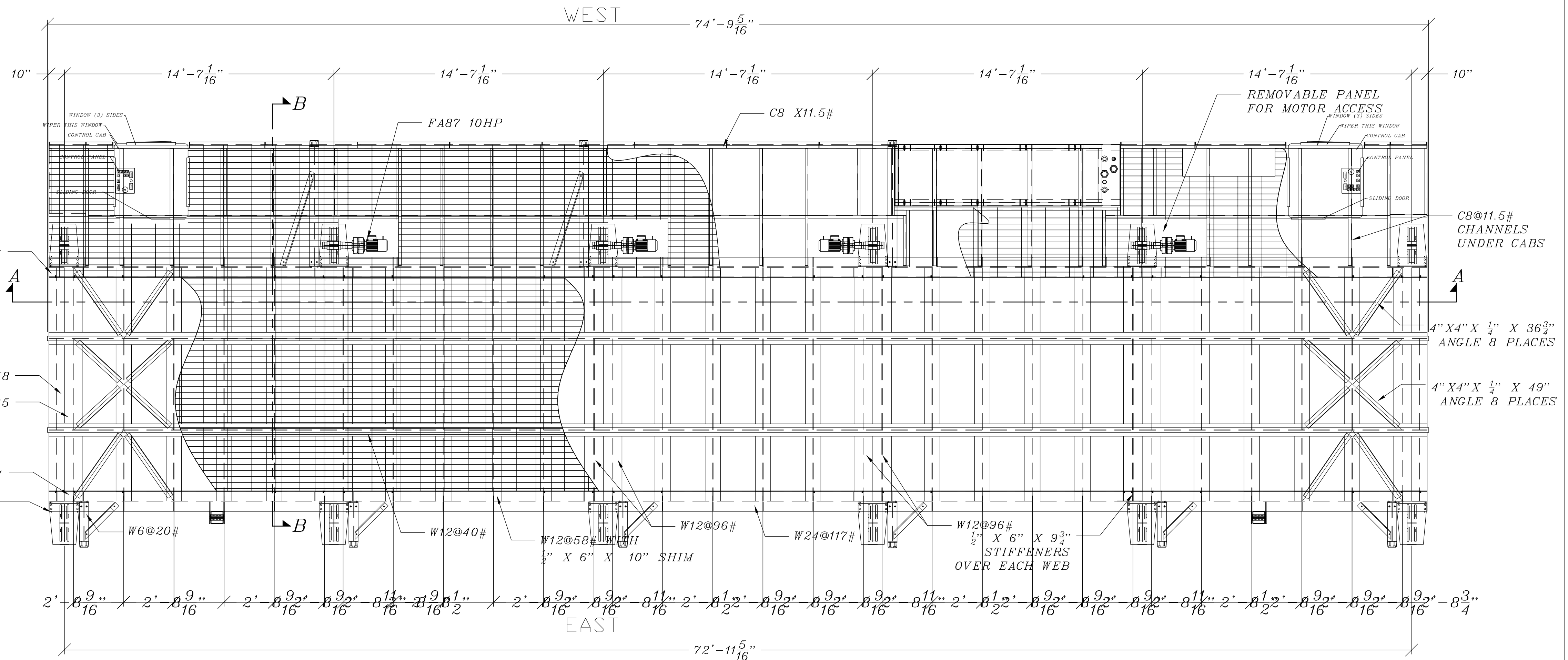


SEE J-13976-211  
FOR SECTION AA

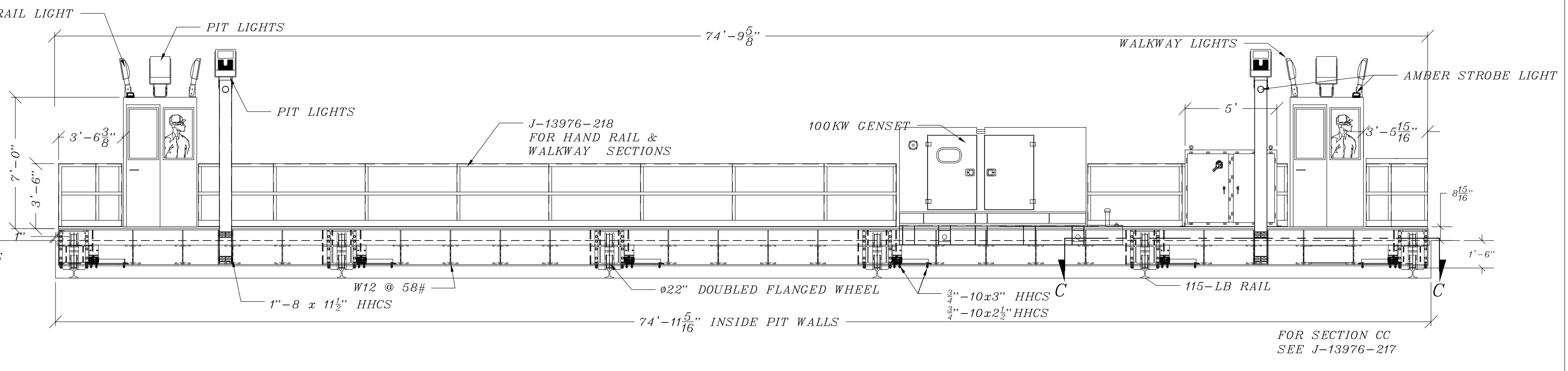


1/2" x 6" x 22" SHIM  
UNDER W12@58  
AND W12@65

1/8" x 6" x 12" SHIM  
UNDER W12@65  
1/8"-27 NPT  
TO GREASE WHEEL  
BEARINGS



END VIEW OF TABLE



FOR SECTION CC  
SEE J-13976-217

TOTAL WEIGHT 113,800 lbs	AMTRAK BEECH GROVE MAINTENANCE FACILITY BEECH GROVE, INDIANA	VIGO MACHINE SHOP INC. 3920 LOCUST STREET TERRE HAUTE, INDIANA 47803 812-235-8393 FAX: 812-234-2972
ACCUMULATION OF TOLERANCES NOT PERMISSIBLE	150 TON TRANSFER TABLE GENERAL LAYOUT	DATE: 8/6/2014
TOLERANCE UNLESS OTHERWISE SPECIFIED FRACTIONAL DIM. ± 1/16" DECIMAL DIM. ± .005" ANGULAR DIM. ± .005"	DATE: NO. REVISIONS BY CHECKED	DRAWN BY: STHOMPSON CHECKED BY: P. MICHL APPROVED BY: S. WHITE SCALE: DO NOT SCALE PRINT
		ORDER NUMBER DRAWING NUMBER J-13976-100