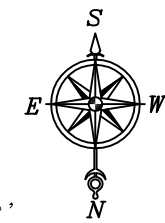
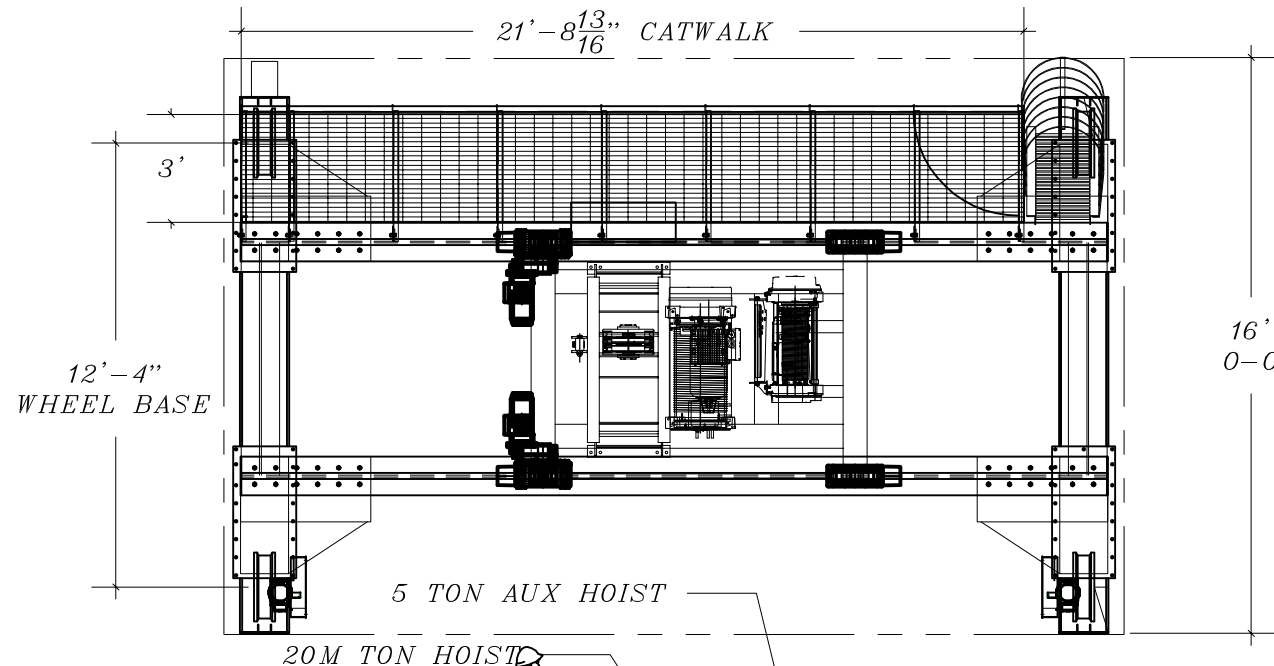
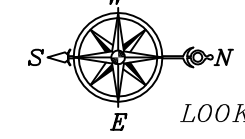
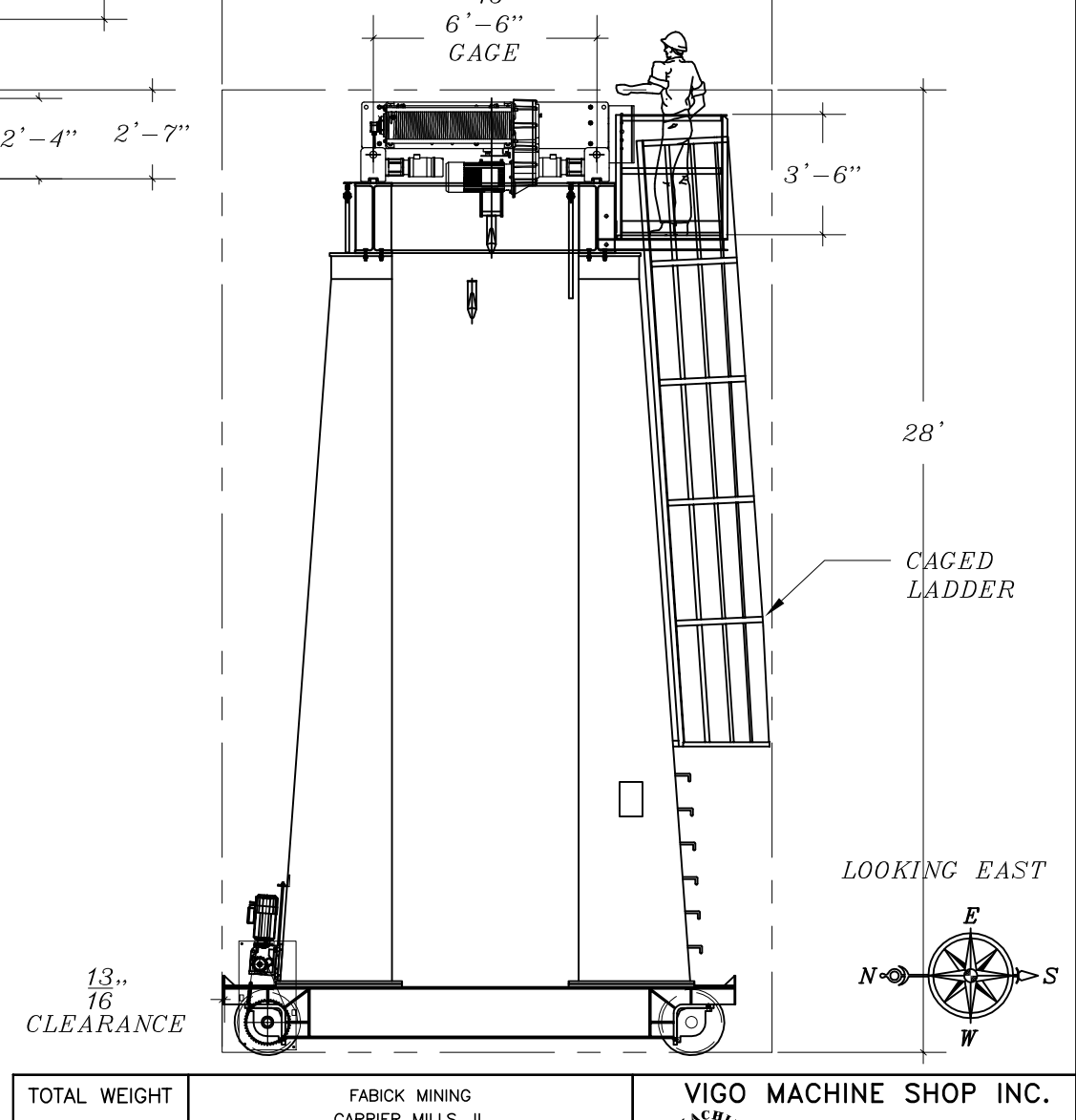
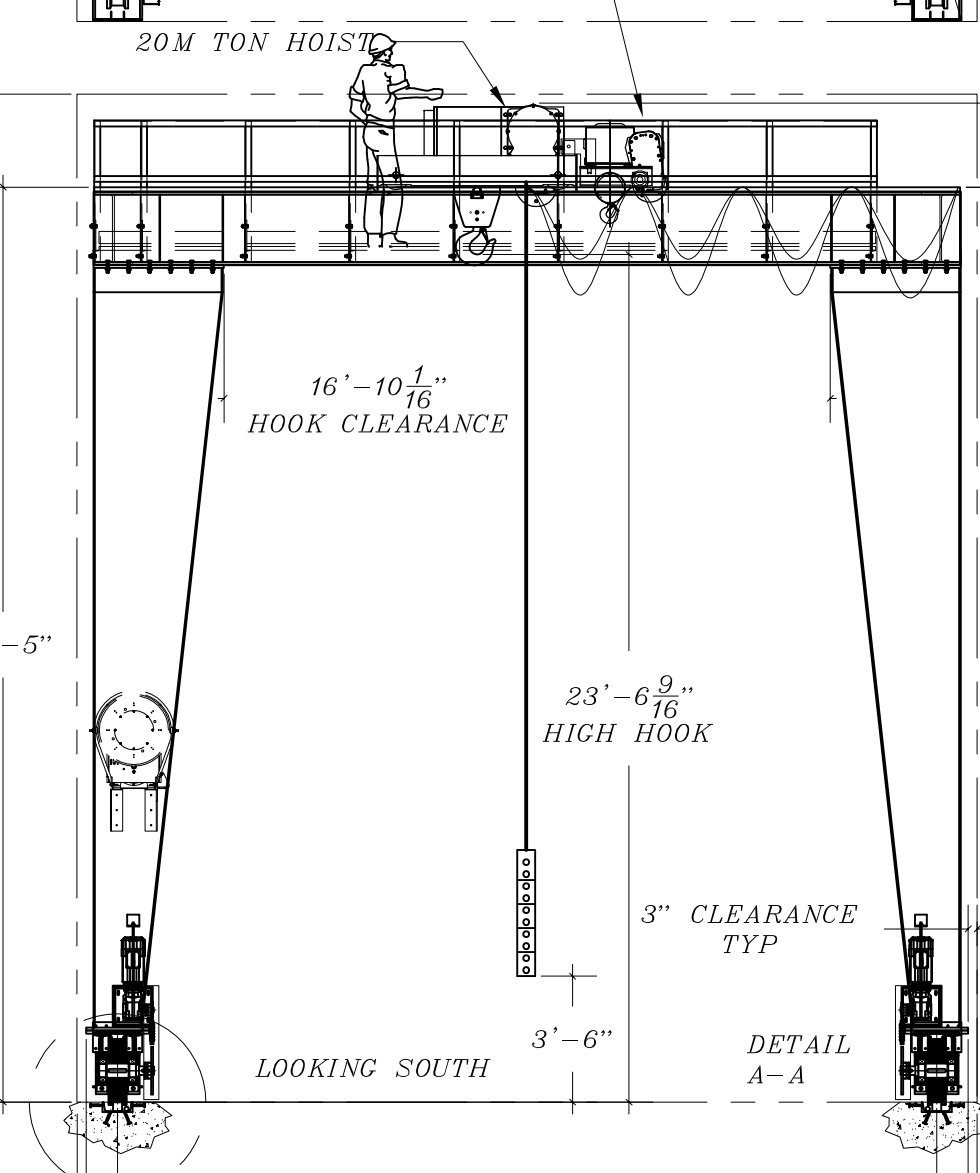
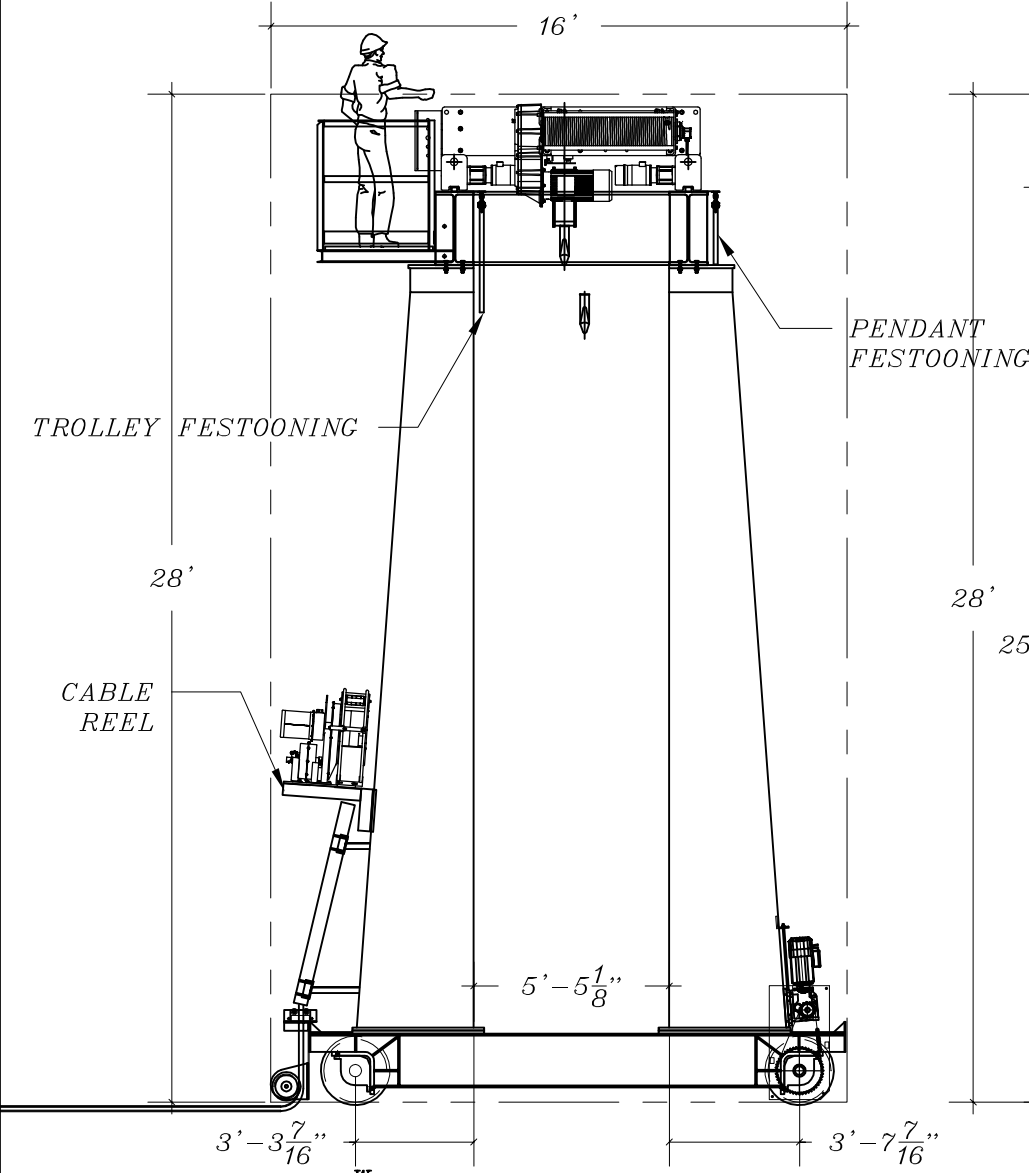


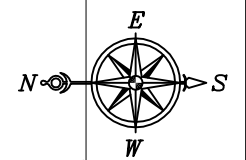
DETAIL A-A



VOLTAGE: 3PH-60HZ-480V
 AMPERAGE REQUIRED: 60AMPS
 *NOTE: DISCONNECT SWITCH FUSED AT 60AMPS COMING FROM SOUTHEAST CORNER



LOOKING WEST



LOOKING EAST

TOTAL WEIGHT	FABICK MINING CARRIER MILLS, IL		VIGO MACHINE SHOP INC.	
ACCUMULATION OF TOLERANCES NOT PERMISSIBLE	20M TON GANTRY CRANE W/ 5 TON AUXILIARY HOIST		3920 LOCUST STREET TERRE HAUTE, INDIANA 47803 812-235-8393 FAX: 812-234-2972	
TOLERANCE UNLESS OTHERWISE SPECIFIED	DATE	NO.	REVISIONS	BY
FRACTIONAL DIM. ± 1/16"				CHECKED
DECIMAL DIM. ±				DRAWN BY: PB
ANGULAR DIM. ±				DATE: 10/16/14
				CHECKED BY: PM
				APPROVED BY: SW
				SCALE: NTS
				DO NOT SCALE PRINT x
				ORDER NUMBER 13958
				DRAWING NUMBER J-13958-100